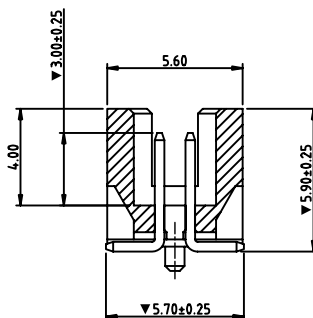
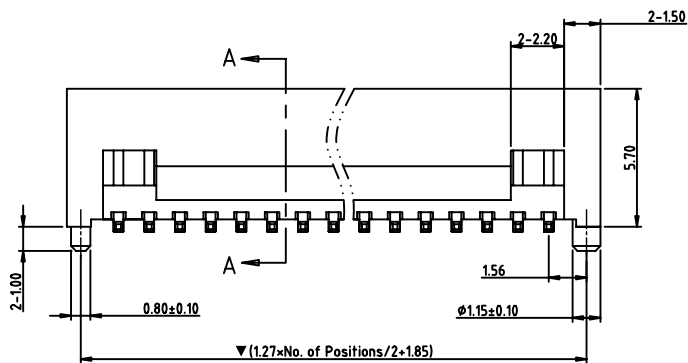
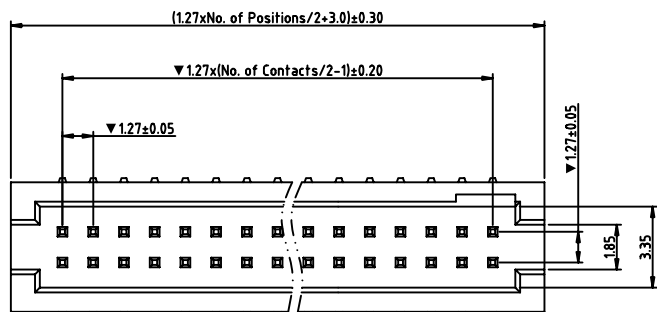
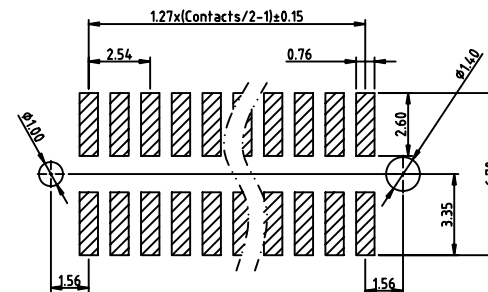


RoHS compliant



Section A-A

Recommended P.C.B Layout (±0.05)



Specification:

Material:
 Contact Material: Brass
 Contact plating: Au or Sn Over 50μ" Ni
 Insulator Material: Black Polyester UL94V-0
 Standard: LCP+30%G.F

Electrical:
 Current rating: 1.0Amps/contact max.
 Contact resistance: ≤20mΩ/contact
 Insulation resistance: ≥1000MΩ at V=100V
 Withstanding Voltage: 350V AC/minute

Mechanical:
 Mechanical life cycle: min.200
 Operating temperatures: -45°C to +105°C
 Soldering temperature: 260°C, 5s.

Ordering Information

BH127057S - 2XX X X 01P

No. of pins
2*5-2*50

Plating Option
 A = Gold Flash
 B = 3U" Gold
 C = 5U" Gold
 E = 15U" Gold
 T = Tin
 Z = Special

Insulator Material
 Option
 A = PBT
 B = PA6T
 F = LCP
 Z = Special

Packing Option
 A = Tray
 B = Bag
 C = Tube
 Z = Special

Fortune Star

Fortune Star Technical Co., Limited

TITLE: 1.27mm Box Header Dual row SMT

TOLERANCES UNLESS OTHERWISE SPECIFIED:		DRAWN	Robert	DATE:	2012-03-28	DRAWING NO.:	BH127057S-2XX-01P		
X.XX	±0.25	CHECKED	Jhon	PROJECTION					
X.X	±0.35			X.X°	±2°				
X.	±0.50			X.°	±3°				
APPROVED		Jack	SIZE:	A4	UNIT:	MM	SCALE:	1:1	
						SHEET:	1/1	REV:	A