

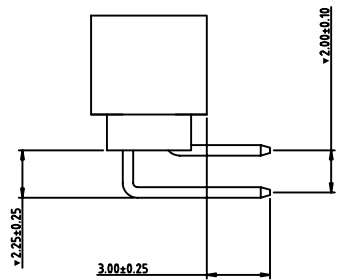
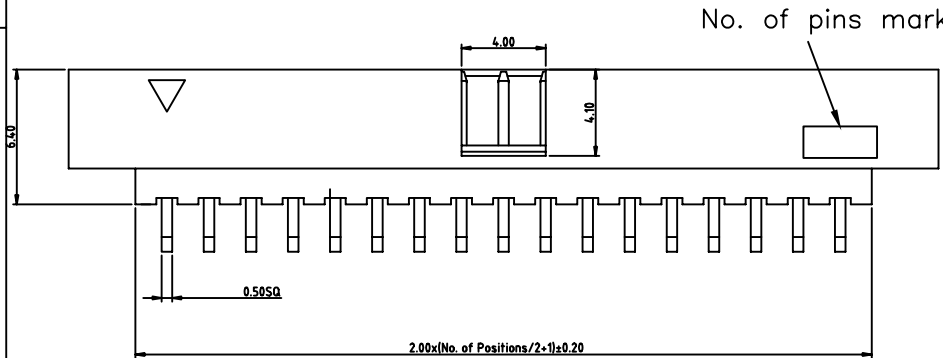
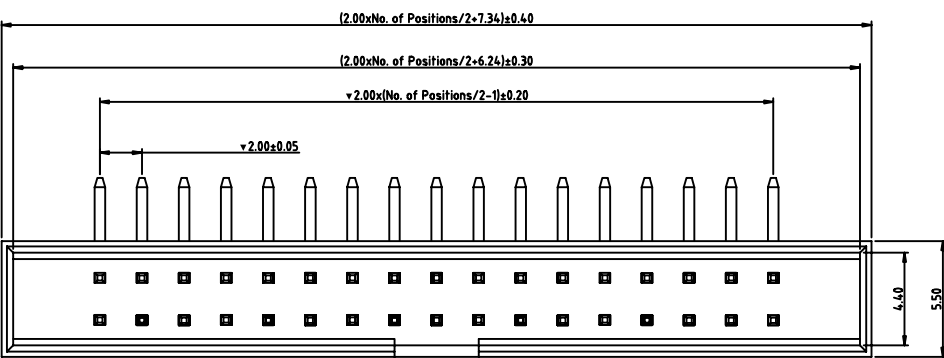
RoHS compliant

# Specification:

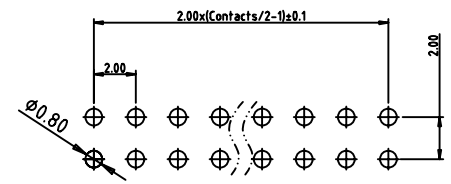
Material:  
 Contact Material: Brass  
 Contact plating: Au or Sn Over 50μ" Ni  
 Insulator Material: Black Polyester UL94V-0  
 Standard: LCP+30%G.F

Electrical:  
 Current rating: 3.0Amps/contact max.  
 Contact resistance: ≤20mΩ/contact  
 Insulation resistance: ≥1000MΩ at V=100V  
 Withstanding Voltage: 350V AC/minute

Mechanical:  
 Mechanical life cycle: min.200  
 Operating temperatures: -45°C to +105°C  
 Soldering temperature: 260°C, 5s.



Recommended P.C.B Layout (±0.05)



## Ordering Information

BH200064R - 2XX X X 01

- No. of pins: 2\*3-2\*64
- Plating Option: A = Gold Flash, B = 3U" Gold, C = 5U" Gold, E = 15U" Gold, T = Tin, Z = Special
- Insulator Material Option: A = PBT, B = PA6T, F = LCP, Z = Special
- Packing Option: A = Tray, B = Bag, C = Tube, Z = Special

# Fortune Star

Fortune Star Technical Co., Limited

TITLE:		2.00mm Box Header Dual row Right angle type					
TOLERANCES UNLESS OTHERWISE SPECIFIED:	DRAWN	Robert	DATE:	2012-03-28	DRAWING NO.:	BH200064R-2XX-01	
X.XX ±0.25	CHECKED	Jhon	PROJECTION				
X.X ±0.35	APPROVED	Jack	SIZE:	A4	UNIT:	MM	
X. ±0.50					SCALE:	1:1	
X.X° ±2°					SHEET:	1/1	
X.° ±3°					REV:	A	