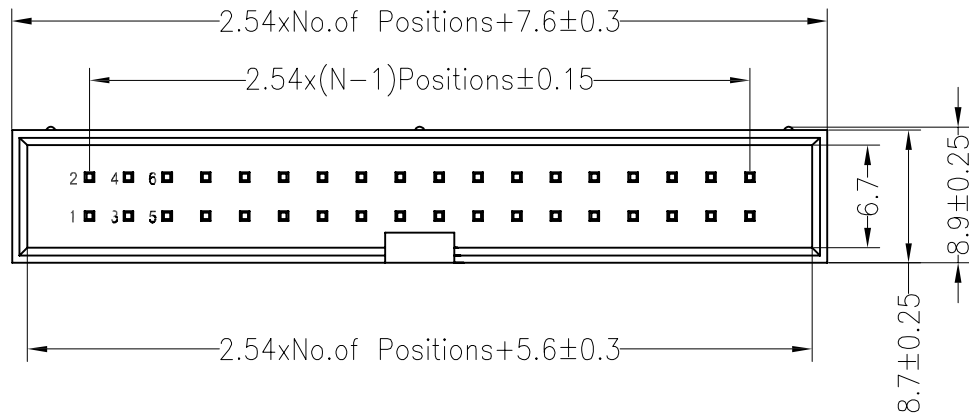


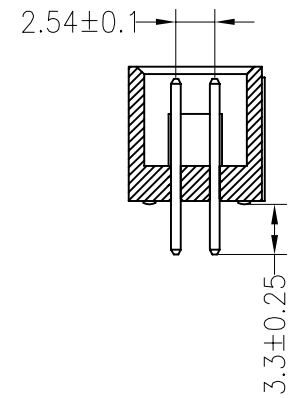
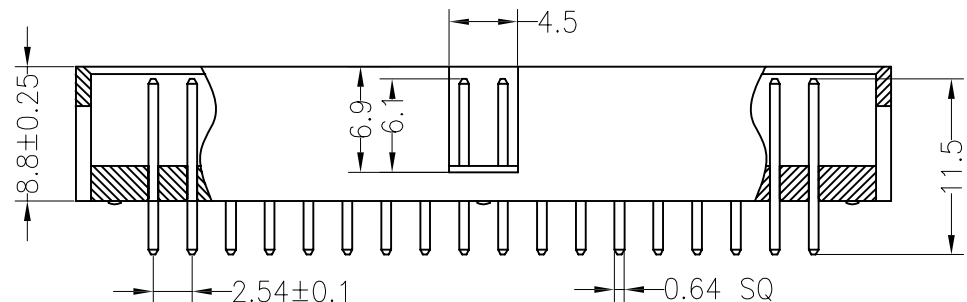
RoHS compliant



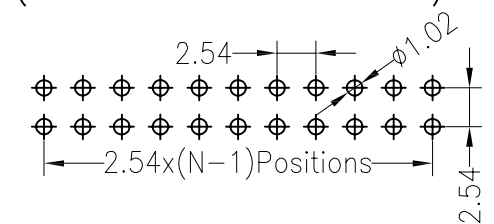
SPECIFICATIONS

Rated Current:3.0AMP
 Contact Resistance:20mΩ Max
 Withstand Voltage:1000V AC/DC
 Insulation Resistance:1000MΩ Min
 Operation Temperature:-40°c to +105°c

Contact Material:Brass
 Contact Plating:Au or Sn Over Ni
 Insulator Material:Polyester(UL94V-0)
 Standard: PBT
 Max.Processing Temp: 180°C for 30-60 seconds
 (200°C for 10 seconds)



Recommended P.C.B Layout(Top Side)
 (PCB BOARD TOLERANCE±0.05)



Ordering Information

BH254088D - 2XX X X X 01

- No. of pins
2*3-2*32
- Plating Option
A = Gold Flash
B = 3U" Gold
C = 5U" Gold
E = 15U" Gold
T = Tin
Z = Special
- Insulator Material
Option
A = PBT
B = PA6T
F = LCP
Z = Special
- Packing Option
A = Tray
B = Bag
C = Tube
Z = Special

Fortune Star		Fortune Star Technical Co., Limited			
TITLE: 2.54mm Box Header H8.8mm 180°					
TOLERANCES UNLESS OTHERWISE SPECIFIED:	DRAWN	Robert	DATE:	2012-03-28	DRAWING NO.: BH254088D-2XX-01
X.XX ±0.25	CHECKED	Jhon	PROJECTION		
X.X ±0.35	APPROVED	Jack	SIZE: A4	UNIT: MM	SCALE: 1:1
X. ±0.50					SHEET: 1/1
					REV: A