

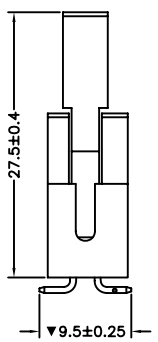
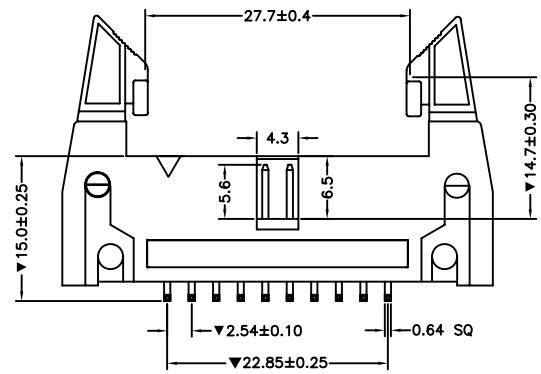
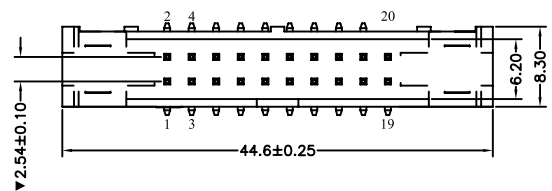


Specification:

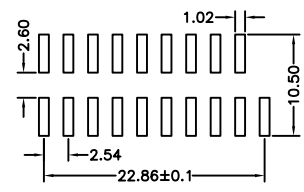
Material:
 Contact Material: Brass
 Contact plating: Au or Sn Over 50μ" Ni
 Insulator Material: Black Polyester UL94V-0
 Standard: LCP+30%G.F

Electrical:
 Current rating: 3.0Amps/contact max.
 Contact resistance: ≤20mΩ/contact
 Insulation resistance: ≥1000MΩ at V=100V
 Withstanding Voltage: 550V AC/minute

Mechanical:
 Mechanical life cycle: min.200
 Operating temperatures: -45°C to +105°C
 Soldering temperature: 260°C, 5s.



Recommended P.C.B
 Layout(±0.05)



Ordering Information

EH254SL - 2XX X X 01

- No. of pins: 2*5-2*25
- Plating Option: A = Gold Flash, B = 3U" Gold, C = 5U" Gold, E = 15U" Gold, T = Tin, Z = Special
- Insulator Material Option: A = PBT, B = PA6T, F = LCP, Z = Special
- Packing Option: A = Tray, B = Bag, C = Tube, Z = Special

Fortune Star

Fortune Star Technical Co., Limited

TITLE: 2.54mm Ejector Header Dual row SMT Long Latch

TOLERANCES UNLESS OTHERWISE SPECIFIED:		DRAWN	Robert	DATE:	2012-03-28	DRAWING NO.:	EH254SL-2XX-01	
X.XX ±0.25	X.X° ±2°	CHECKED	Jhon	PROJECTION				
X.X ±0.35	X.° ±3°	APPROVED	Jack	SIZE:	A4	UNIT:	MM	SCALE: 1:1
X. ±0.50							SHEET: 1/1	REV: A