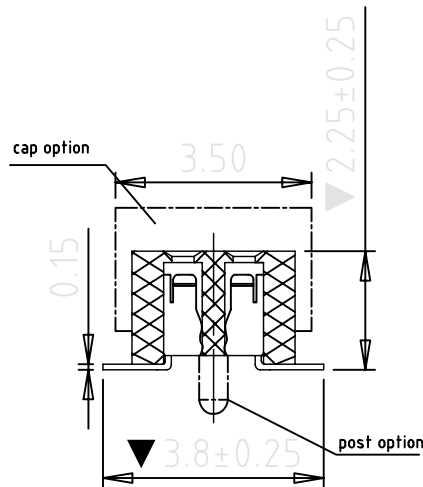
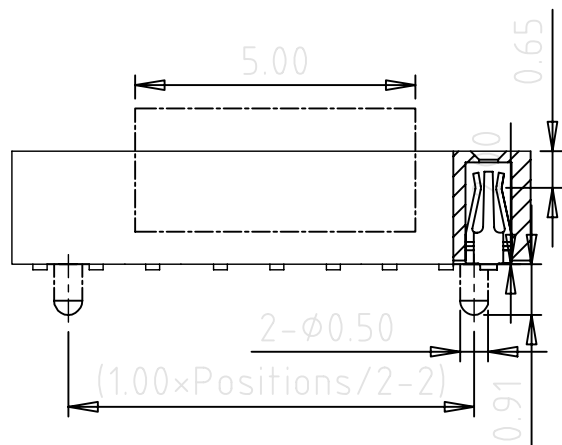
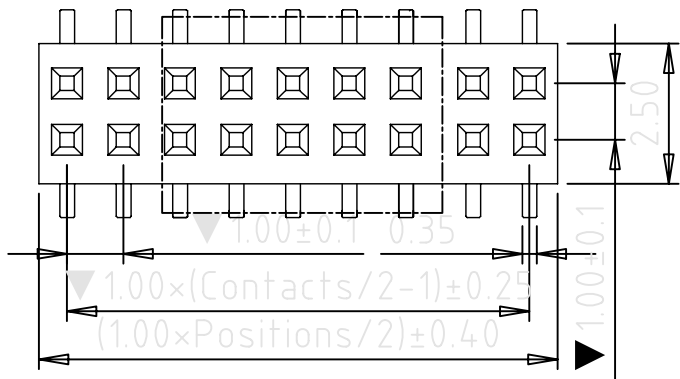
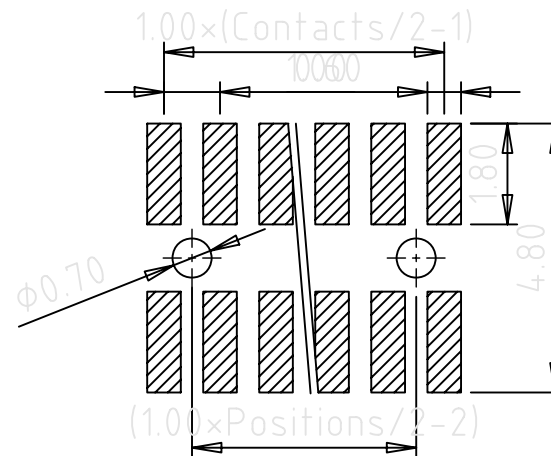


RoHS compliant



Recommended P.C.B
Layout(±0.05)



SPECIFICATIONS

Contact: phosphor bronze
 Contact plating: see ordering information
 Insulator: black glass filled polyester
 UL94V-0
 Current rating: 0.75Amps
 Contact resistance: 20mΩ max.
 Insulation resistance: 1000MΩ min. at 100V
 Withstanding Voltage: 300V AC/minute
 Operating temperature: -55°C to +105°C
 Soldering temperature: 260°C ± 5° 5S
 Critical Dimensions: ▼

Ordering Information

FH100020VSU1 - 2XX X X X 01P

No. of pins
2*3-2*50

Plating Option
A = Gold Flash
B = 3U" Gold
C = 5U" Gold
E = 15U" Gold
T = Tin
Z = Special

Insulator Material
Option
A = PBT
B = PA6T
F = LCP
Z = Special

Packing Option
A = Tray
B = Bag
C = Tube
Z = Special

Fortune Star

Fortune Star Technical Co., Limited

TITLE: 1.00mm Female Header Dual row SMT type

TOLERANCES UNLESS OTHERWISE SPECIFIED:		DRAWN	Robert	DATE:	2012-03-28	DRAWING NO.:	FH100020VSU1-2XX-01P	
X.XX	±0.25	X.X°	±2°	CHECKED		Jhon	PROJECTION	
X.X	±0.35	X.°	±3°	APPROVED		Jack	SIZE:	A4
X.	±0.50			UNIT:	MM	SCALE:	1:1	SHEET: 1/1
							REV:	A