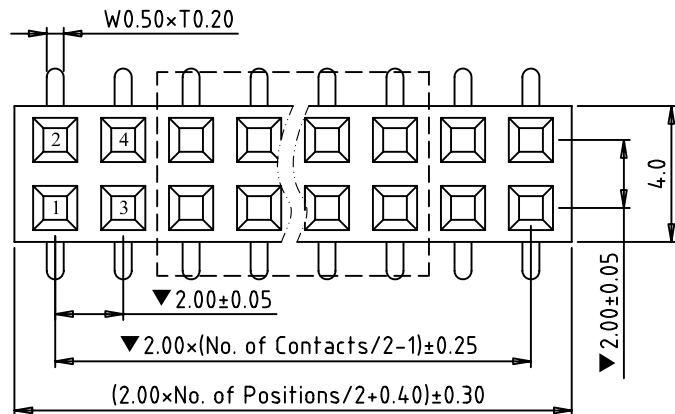
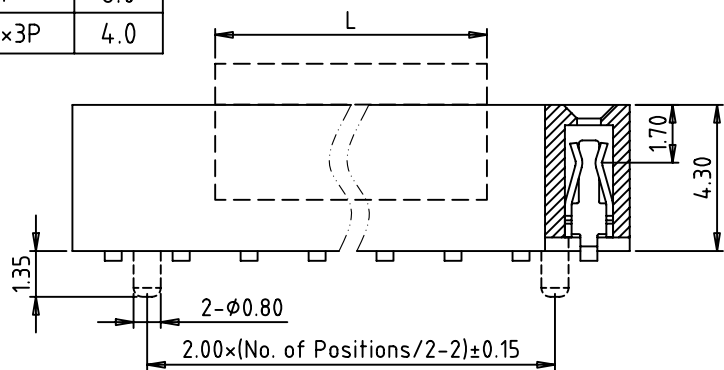


RoHS compliant



No. of positions	Dim. L
≥2x4P	8.0
2x2P/2x3P	4.0



Ordering Information

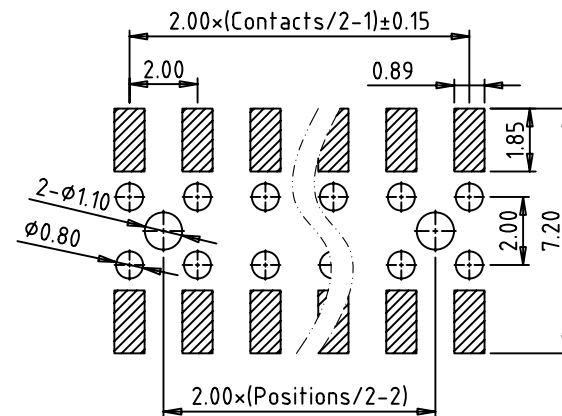
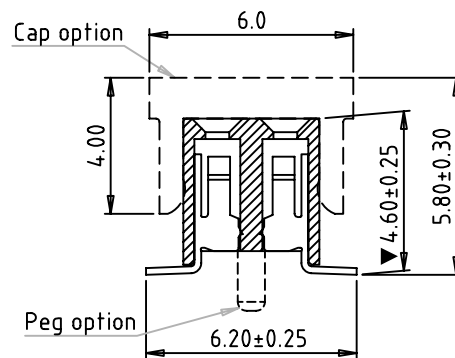
FH200043VS1U - 2XX X X 01P

- No. of pins 2x3-2x40
- Plating Option
A = Gold Flash
B = 3U" Gold
C = 5U" Gold
E = 15U" Gold
T = Tin
Z = Special
- Insulator Material Option
A = PBT
B = PAGT
F = LCP
Z = Special
- Packing Option
A = Tray
B = Bag
C = Tube
Z = Special

SPECIFICATIONS

Contact: phosphor bronze
 Contact plating: see ordering information
 Insulator: black glass filled polyester UL94V-0
 Current rating: 1.5Amps
 Contact resistance: 20mΩ max.
 Insulation resistance: 1000MΩ min. at 100V
 Withstanding Voltage: 450V AC/minute
 Operating temperature: -55°C to +105°C
 Soldering temperature: 260°C±5° 5S
 Critical Dimensions: ▼

Recommended P.C.B
 Layout(±0.05)



Fortune Star

Fortune Star Technical Co., Limited

TITLE:		2.00mm Female Header Dual row Vertical SMT					
TOLERANCES UNLESS OTHERWISE SPECIFIED:	DRAWN	Robert	DATE:	2012-03-28	DRAWING NO.:	FH200043VS1U-2XX-01P	
X.XX ±0.25	CHECKED	Jhon	PROJECTION				
X.X ±0.35	APPROVED	Jack	SIZE:	A4	UNIT:	MM	
X. ±0.50			SCALE:	1:1	SHEET:	1/1	
					REV:	A	