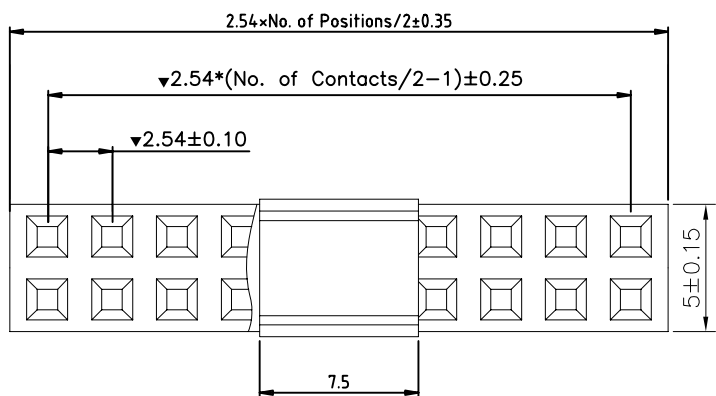
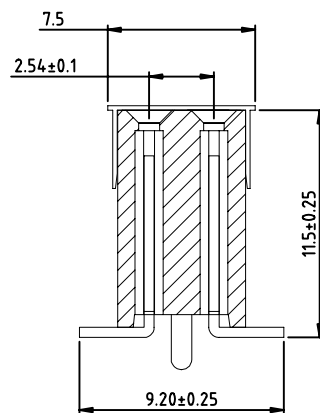
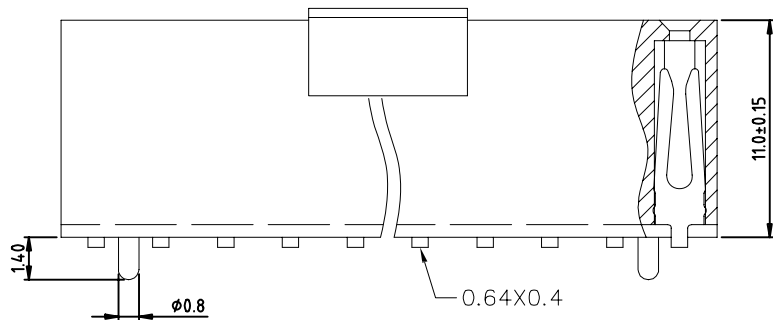


RoHS compliant

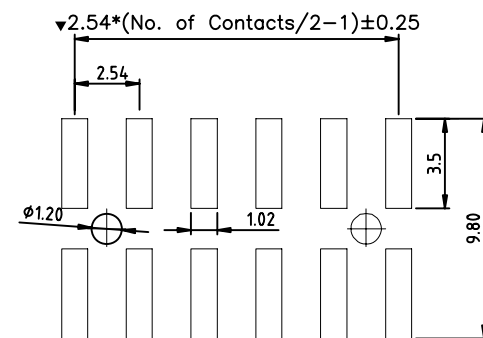


SPECIFICATIONS

Contact: brass
 Contact plating: see ordering information
 Insulator: black glass filled polyester UL94V-0
 Current rating: 3.0Amps
 Contact resistance: 20mΩ max.
 Insulation resistance: 1000MΩ min. at 100V
 Withstanding Voltage: 550V AC/minute
 Operating temperature: -55°C to +105°C
 Soldering temperature: 260°C, 10S
 Critical Dimensions: ▼



Recommended P.C.B
 Layout (±0.05)



Ordering Information

FH254110VS1Y - 2XX X X 01P

No. of pins 2*3-2*40
 Plating Option
 A = Gold Flash
 B = 3U" Gold
 C = 5U" Gold
 E = 15U" Gold
 T = Tin
 Z = Special
 Insulator Material Option
 A = PBT
 B = PA6T
 F = LCP
 Z = Special
 Packing Option
 A = Tray
 B = Bag
 C = Tube
 Z = Special

Fortune Star

Fortune Star Technical Co., Limited

TITLE: 2.54mm Female Header Dual row Vertical SMT

TOLERANCES UNLESS OTHERWISE SPECIFIED:		DRAWN	Robert	DATE:	2012-03-28	DRAWING NO.:	FH254110VS1Y-2XX-01P	
X.XX ±0.25	X.X° ±2°	CHECKED	Jhon	PROJECTION				
X.X ±0.35	X.° ±3°	APPROVED	Jack	SIZE:	A4	UNIT:	MM	SCALE: 1:1
X. ±0.50						SHEET:	1/1	REV: A