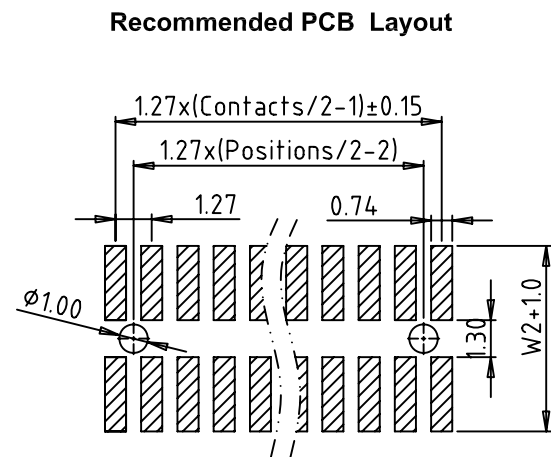
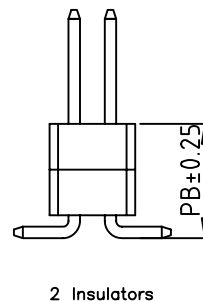
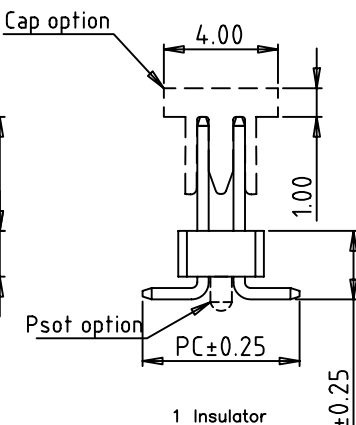
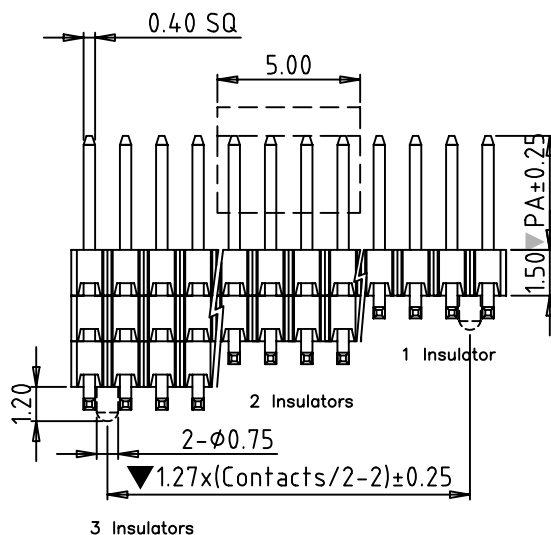
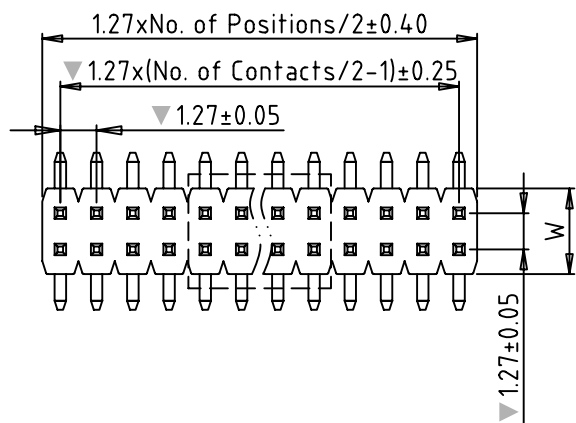


RoHS compliant



Specification

1.Material:

- 1.1 Contact:Phosphor bronze,selective plating
- 1.2 Insulator:PA6T,black,UL94V-0,RoHS

2.Electrical:

- 2.1 Current rating:1Amps/contact max.
- 2.2 Contact resistance: ≤20mΩ/contact
- 2.3 Insulation resistance: ≥1000MΩ at V=100V
- 2.4 Withstanding Voltage:300V AC/minute

3.Mechanical:

- 3.1 Retention force:0.35Kgf/contact min.
- 3.2 Operating temperature: -55°C to+105°C
- 3.3 Soldering temperture: 260°C 5S

Ordering Information

PH127015VS - 2XX X X XXX - XXXX - XXXX - XXXX

No. of pins
2*2-2*50

Plating Option
A = Gold Flash
B = 3U" Gold
C = 5U" Gold
E = 15U" Gold
T = Tin
Z = Special

Insulator Material
Option
A = PBT
B = PA6T
F = LCP
Z = Special

Packing Option
A = Tray
B = Bag
C = Tube
Z = Special

No. of Insulator
01 = 1 Insulator
02 = 2 Insulators
03 = 3 Insulators

PA Length
0600 = 6.00mm
2500 = 25.0mm

PB Length
0900 = 9.00mm
1500 = 15.0mm

PC Length
0900 = 9.00mm
1500 = 15.0mm

Fortune Star

Fortune Star Technical Co., Limited

TITLE: 1.27mm Pin Header Dual row Vertical SMT

TOLERANCES UNLESS OTHERWISE SPECIFIED:		DRAWN	Robert	DATE:	2012-03-28	DRAWING NO.:	PH127015VS-2XX-XXX				
X.XX	±0.25	X.X°	±2°	CHECKED	Jhon	PROJECTION					
X.X	±0.35	X.°	±3°	APPROVED	Jack	SIZE:	A4			UNIT:	MM
X.	±0.50					SCALE:	1:1	SHEET:	1/1	REV:	A